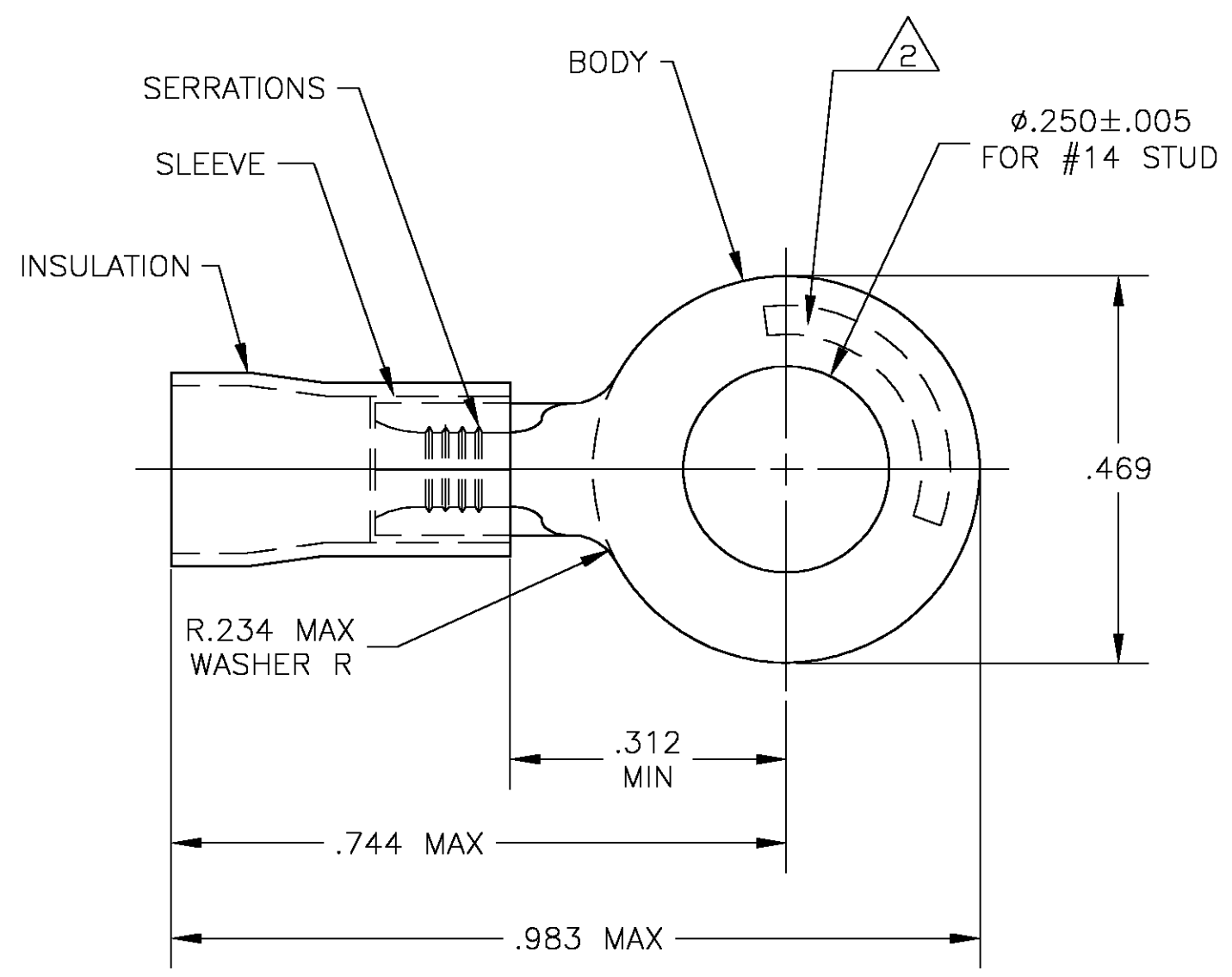


THIS DRAWING IS UNPUBLISHED. RELEASED FOR PUBLICATION
 © COPYRIGHT BY TYCO ELECTRONICS CORPORATION. ALL RIGHTS RESERVED.

LOC	DIST	REVISIONS			
P	LTR	DESCRIPTION	DATE	DWN	APVD
G	14	F	REDRAWN PER 0G3A-0614-03	03OCT03	JR MS



- 1 TONGUE THK IS $.040 \pm .002$
- 2 STAMP "AMP 20-16 HD*" LOCATED ON BOTTOM, APPROX AS SHOWN
- 3 BODY: COPPER PER ASTM B152
TIN PLATE ASTM B545
SLEEVE: COPPER PER ASTM B152
TIN PLATE ASTM B545
INSULATION: PVC, COLOR - GREEN
- 4 FOR .115 TO .170 WIRE INSULATION DIA.

OBSOLETE	2-36273-1	36273-0
	PART # ON TAPE	PART NO

THIS DRAWING IS A CONTROLLED DOCUMENT.		DWN jr_ruth 03OCT03	Tyco Electronics Corporation Harrisburg, PA 17105	
DIMENSIONS: INCHES		CHK MJ SPICER 03OCT03		
		APVD MJ SPICER 03OCT03	NAME TERMINAL, PLASTI-BOND, RING TONGUE, WIRE SIZE: 20-16 H.D.	
TOLERANCES UNLESS OTHERWISE SPECIFIED:		PRODUCT SPEC	SIZE A3	
0 PLC ± -		APPLICATION SPEC	CAGE CODE 00779	DRAWING NO C-36273
1 PLC ± -		WEIGHT	RESTRICTED TO	
2 PLC ± -		CUSTOMER DRAWING	SCALE 5:1 SHEET 1 OF 1 REV F	
3 PLC ± .008				
4 PLC ± -				
ANGLES ± 5'				
FINISH				
-				